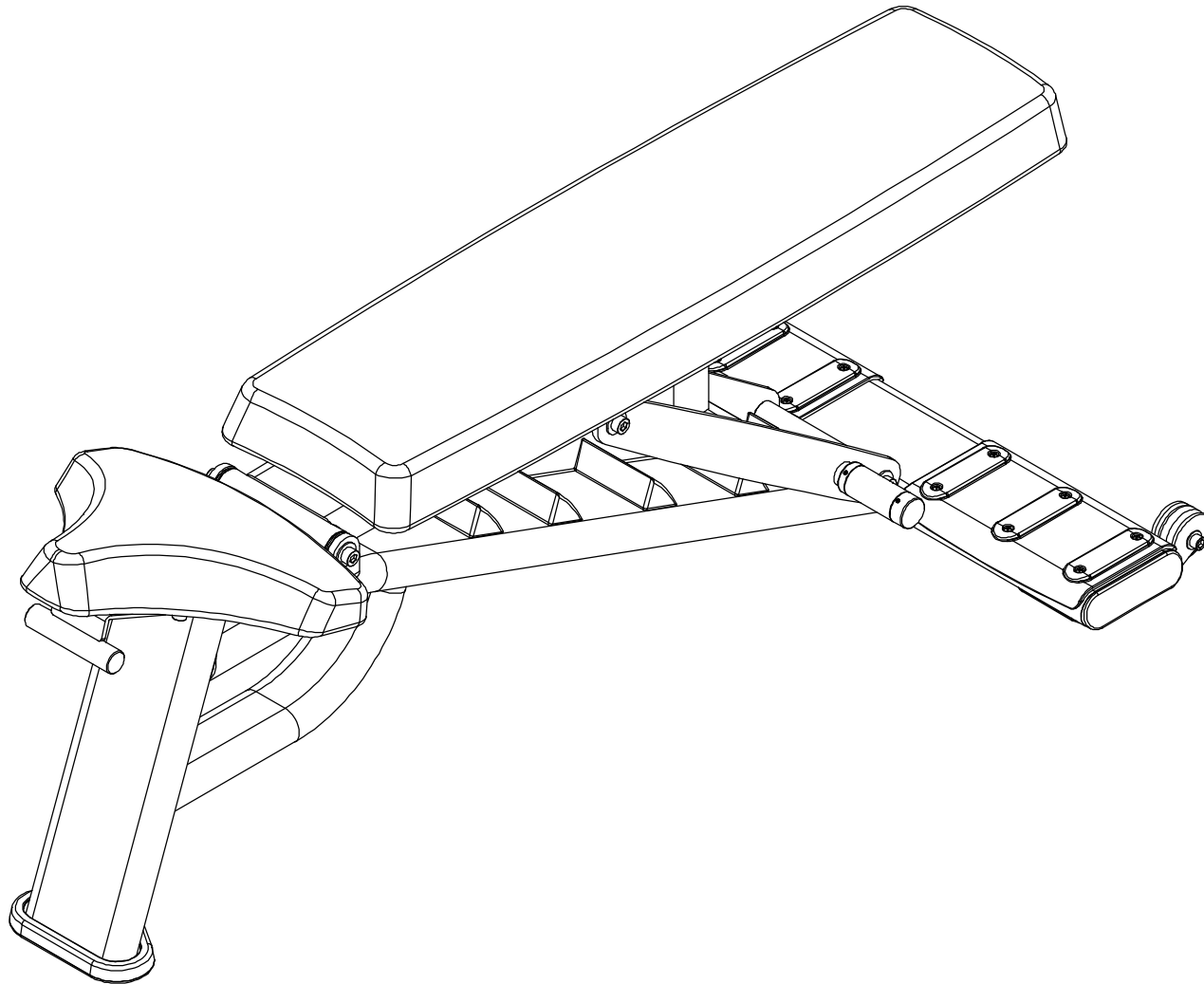
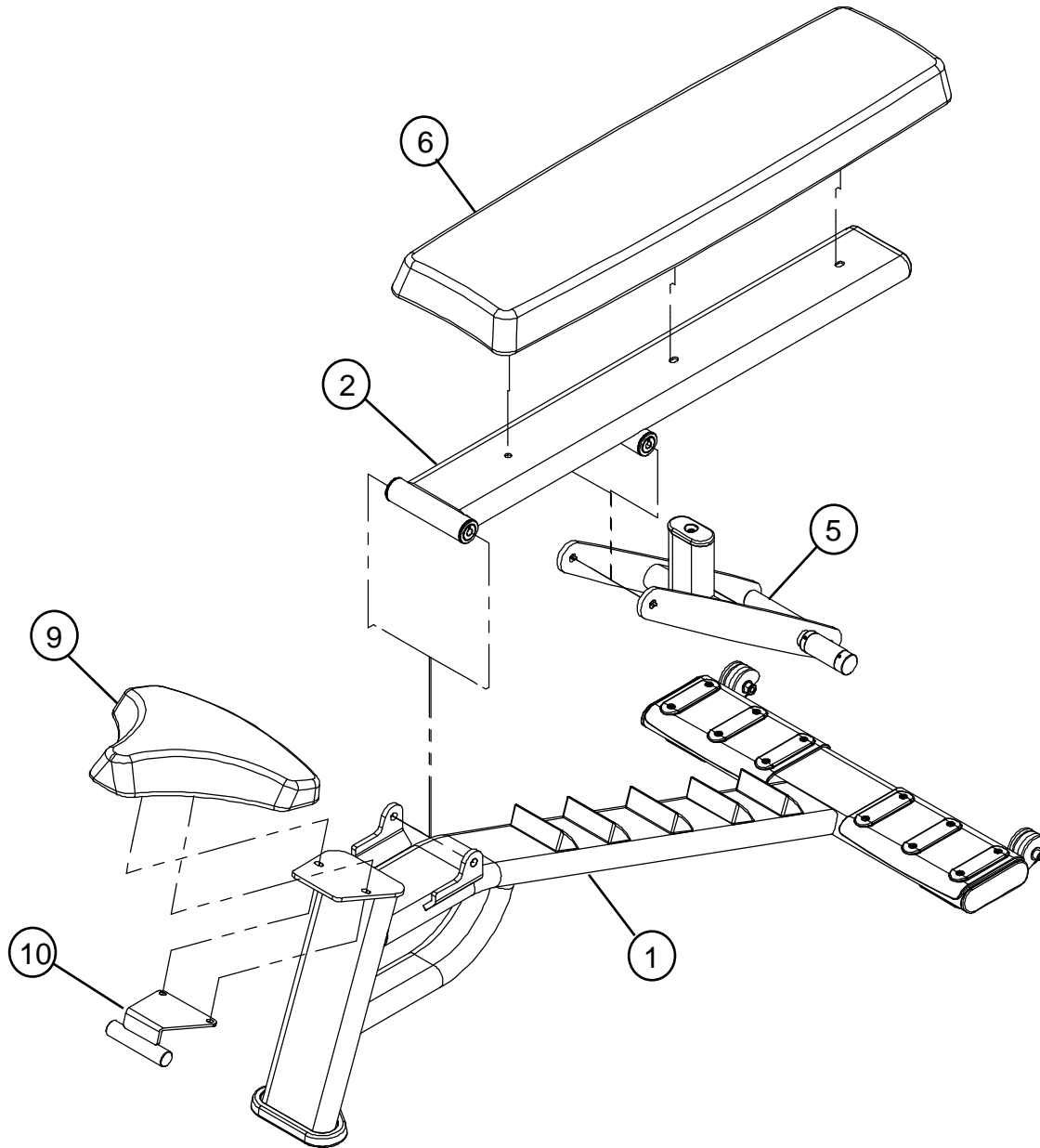


FLAT INCLINE BENCH

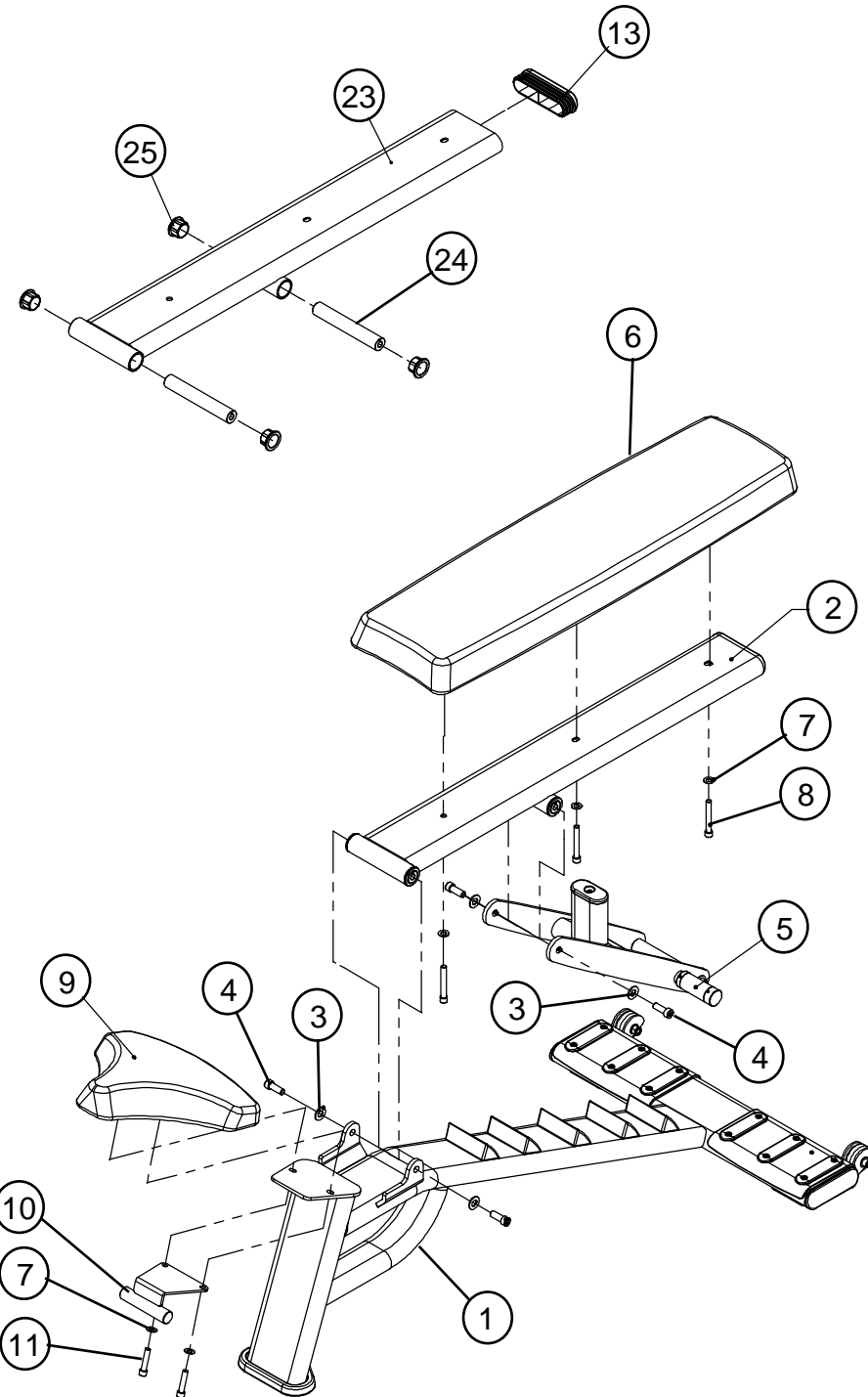
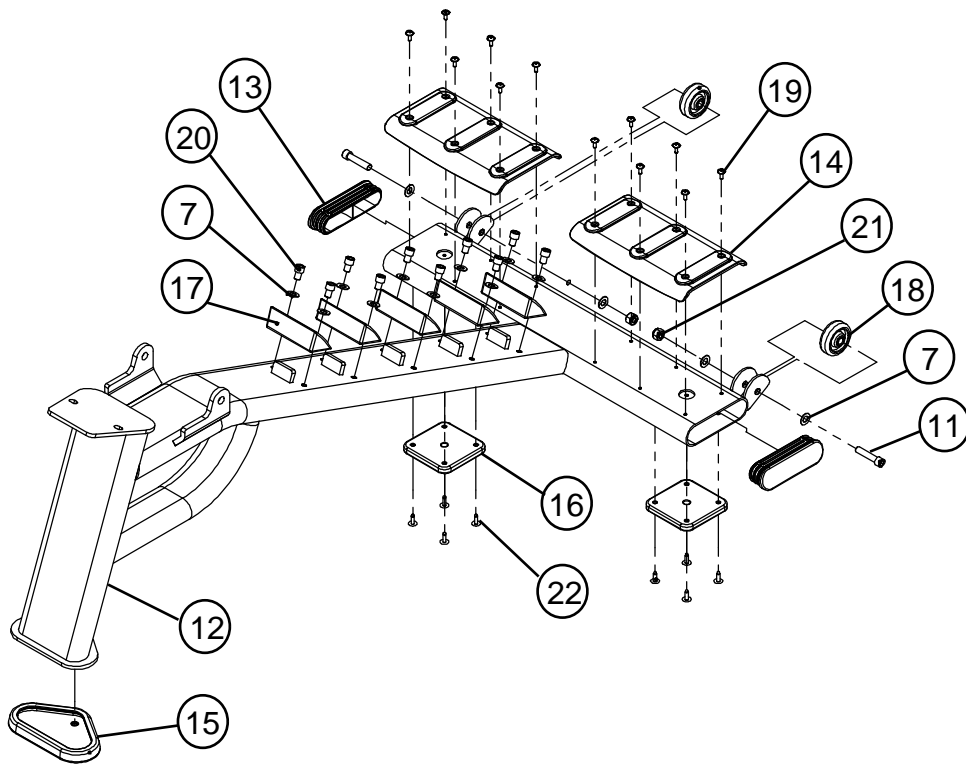


PARTS LIST

ITEM	QTY.	PART NO.	Paragon P/N	DESCRIPTION	CHINESE DESCRIPTION
1	1	52708PA-B	P20-2951	PTD ASSY, FIB FRAME	固定立管組
2	1	52719PA-A	P20-2952	PTD ASSY, FIB BACK PAD SUPPORT	背墊固定管組
3	4	2001301		WASHER, FLAT 1/2 SAE ST ZN	平面華司 26X13X2.0T
4	4	2006804		BOLT, 1/2-13 X 1-1/4" (32mm) SOCKET HEAD W/NP	內六角承窩螺絲 1/2"X 1 1/4"L 點耐落
5	1	52723PA-B	P20-2953	PTD ASSY, FIB ADJ LINK	支撐管組
6	1	5277101-A	P07-0440	PAD, BACK	背墊
7	19	2001101		WASHER, FLAT 3/8 SAE ST ZN	平面華司 20X10.5X1.0T
8	3	2006410		BOLT, 3/8-16 X 2-3/4" (70mm) SOCKET HEAD W/NP	內六角承窩螺絲 3/8"X 2 3/4"L 點耐落
9	1	5246201-B	P07-0434	PAD, SMALL SEAT	座墊
10	1	52846PA-A	P04-2803	PTD ASSY, FIB HANDLE	連接片組
11	2	2006406		BOLT, 3/8-16 X 1-3/4" (45mm) SOCKET HEAD W/NP	內六角承窩螺絲 3/8"X 1 3/4"L 點耐落
12	1	5270801-B	P04-2800	FIB FRAME WELDMENT	固定立管
13	2	5205401-A	P06-2129	END CAP, FLATOVAL	橢圓管塞
14	2	5226901-A	P06-2136	TREAD COVER	腳墊
15	1	5257201-A	P06-2203	RUBBER FOOT PAD	橡膠墊
16	2	5271701-A	P06-2204	FOOT PAD	腳墊
17	5	5271801-A	P06-2205	ADJUSTMENT STOP	限位塊
18	2		P06-0481	TRANSPORT WHEEL	搬運輪
19	12	2004802		SCREW, 10-32 X 1/2" (12MM) PAN HEAD W/NP	大扁頭十字螺絲#10-32x1/2"L 點耐落
20	10			BOLT, 3/8-16 X 1/2" (13mm) SOCKET HEAD W/NP	內六角承窩螺絲 3/8"X 1/2"L 點耐落
21	2	2001201		NUT, 3/8-16 LK ST ZN	尼龍螺帽3/8"-16x11T
22	8			RIVET	拉釘
23	1	5271901-A	P04-2802	FIB BACK PAD SUPPORT	背墊固定管
24	2	5271901-A	P03-1928	PIVOT SHAFT	鐵心
25	4		P08-0003	BUSHING	含油軸承
26	1	5272301-A	P04-2801	FIB ADJ LINK WELDMENT	支撐管
27	1	5272701-A	P03-1927	SHAFT	鐵心
28	2	5095701-B	P05-1001	ALUMINUM CAP	鋁蓋
29	2	5095601-B	P05-1002	COLLAR	固定軸套
30	1	5205201-A	P06-2188	BUMPER	緩衝墊
31	1	5272801-A	P06-2237	SLEEVE	塑膠套管
32	2	5284501-A	P06-2238	HAND GRIP	把手套
33	1	2006503		BOLT, 1/4-20 X 3/4" (19mm) SOCKET HEAD W/NP	六角承窩螺絲 1/4"x 3/4"L 點耐落
34	1			WASHER, FLAT 16 X 6.5 X 1.0T	平面華司16X6.5X1.0T
35	8			SET SCREW M4x3mmL	止付螺絲



#1 P/N 52708PA-A PTD ASSY, FIB FRAME



#5 P/N 52723PA-B PTD ASSY, FIB ADJ LINK

